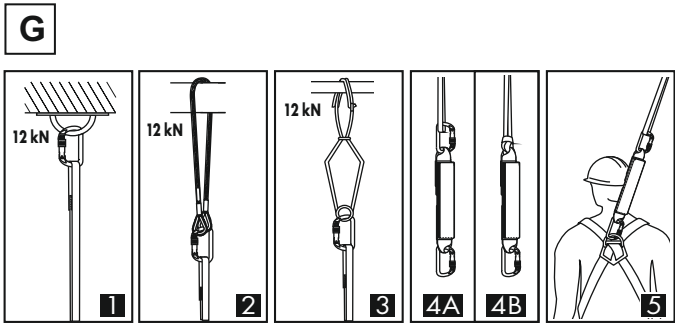
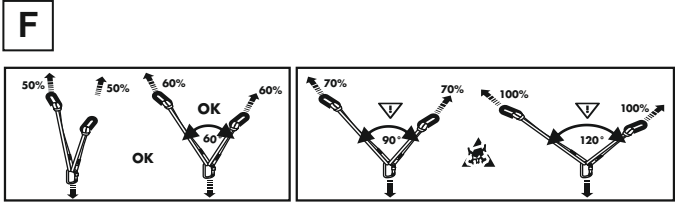
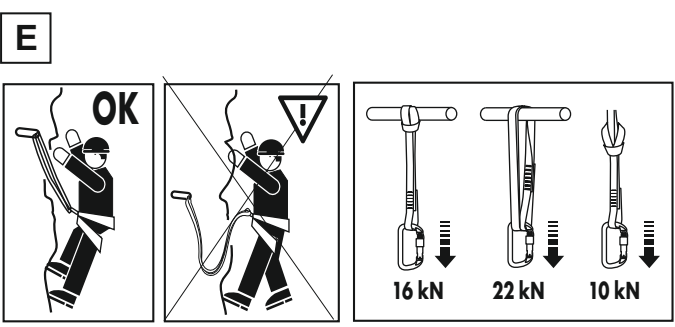
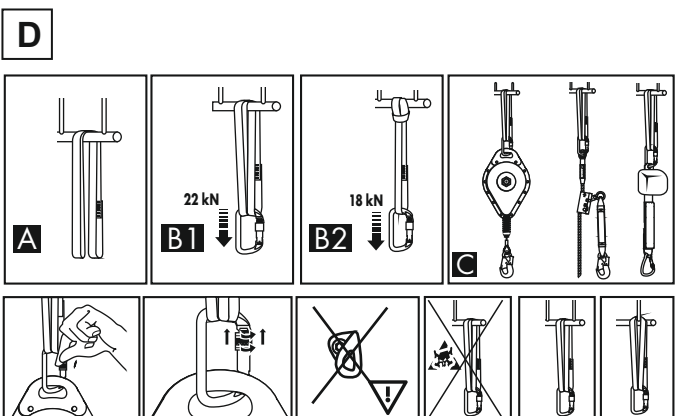
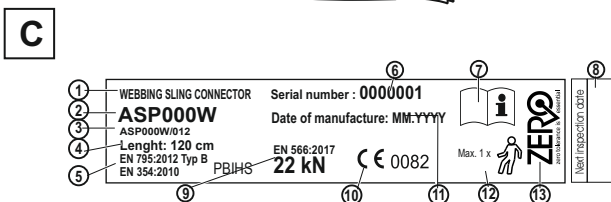
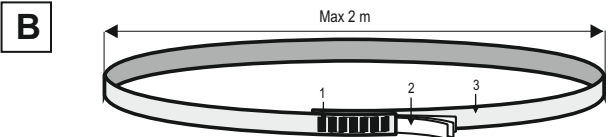


GB WEBBING SLING CONNECTOR PBIHS



GB - NOTICE: Read and fully understand these instructions before using this equipment.

A. DESCRIPTION
Webbing Sling Connector is a component of personal protective equipment against falls from a height and conforms to EN 354:2010, EN 795:2012/B, also conform standard EN 566:2017 Mountaineering equipment. Webbing Sling Connector is for the use of one person only.

WARNING: Any activities at height, like climbing, work or rescue actions are considered dangerous and may result in serious injuries or even death. The person using this equipment is responsible for any possible damage or

consequences of an accident. If you do not agree to accept responsibility for such risks, you should not use this product. Webbing Sling Connector should only be used for personal fall protection equipment and NOT FOR LIFTING EQUIPMENT. Device can be use as:

- anchorage device - a component of personal fall arrest equipment which is used to connect fall arrest devices to the structural anchor point.
- or
- lanyard - a component of personal fall arrest equipment in conjunction with energy absorber. Fall arrest system consisting of energy absorber (complies with EN 355) connected to Webbing Sling Connector. Device (complies with EN 354) attached to the full body harness (complies with EN 361) and connected to the structural anchor point (complied with EN 795) can be used as a basic personal protective equipment against falls from a height. The total length of this sub-system with a lanyard including an energy absorber, terminations and connectors shall not exceed 2 m.

B. DEVICE DESCRIPTION
Webbing Sling Connector is made of 21 mm width polyester webbing. Webbing endings are sewn forming a closed sling. Device's length is from 20 cm to 200 cm

1. sewing
2. identify label
3. textile webbing

C. CONTENT OF THE DEVICE IDENTITY LABEL

1. name (type) of the device
2. trade mark
3. reference number*
4. device length
5. European standards (number/year/class)
6. number of the manufacturing series
7. caution: read the manual
8. date of next inspection
9. minimum strength tested according EN 566
10. CE marking and number of a notified body controlling manufacturing of the equipment
11. month/year of manufacture/expiry date
12. number of people can use device
13. marking of the manufacturer or distributor

*) xxx - code of length
for example: xxx = 012 - length 120 cm
xxx = 020 - length 200 cm

D. USING THE WEBBING SLING CONNECTOR AS THE ANCHORAGE DEVICE (EN 795)

1. Put the sling around a construction element (structural anchor point) e.g. a steel beam - drawing **A**
2. Connect the sling endings with oval type snap hook - drawing **B1** or
3. Put one ending of the sling through the second one - drawing **B2**
4. Attach a fall arrest device (e.g. energy absorber with lanyard, guided type fall arrester or retractable type fall arrester) to the Webbing Sling Connector with oval type snap hook - drawing **C**.

NOTICE:
When the Webbing Sling Connector is used as a part of connecting-absorbing subsystem, the user has to be equipped with an energy absorber which limits maximum dynamic forces exerted on the user during the arrest of fall to a maximum of 6 kN.
Attention: Use only a certified (EN 362) snap hooks.

WARNING! NECESSARILY PROTECT THE SNAP HOOK GATE WITH THE LOCKING GEAR.
USE ANCHOR POINT ONLY IN VERTICAL DIRECTION DO NOT USE THIN OR SHARP EDGE ANCHOR POINT.

The structural anchor point should be situated above the working place and the shape of the structural anchor point should not let self-acting disconnection of the Webbing Sling Connector.

E. USING THE SLING AS A MOUNTAINEERING EQUIPMENT (EN 566)
Before using this equipment you have to:

1. Read and understand this instruction for use.
2. Get proper training for actual use.
3. Follow declared capabilities and limitations.
4. Understand and accept risks involved.
5. Before each use check the device for damages webbing or seams.
6. Stay below the attachment point.

Using the sling as a mountaineering equipment must be compatible with user instructions of the mountaineering equipment and obligatory standards:

- EN 12275 - for connectors
- EN 12277 - for harnesses
- EN 567 - for rope clamps
- EN 958 - for energy absorbing systems for use in klettersteig climbing.

WARNING! DO NOT FALL ONTO A SLING.

F. FORCE TRIANGLE
When increasing angle in force triangle cause increasing load applied to anchor points.
To avoid such effect use the sling of proper length.

G. USING THE SLING AS A SAFETY LANYARD (EN 354)

1. One snap hook of the sling attach to the structural anchor point of static strength min. 12 kN
 - straight - drawing **1**
 - with an additional connector like wire rope connector - drawing **2** or scissor connector - drawing **3**
2. Second one ending of the sling attach to the energy absorber with snap additional snap hook - drawing **4A** or by putting one sling ending through the second one - drawing **4B**
3. Formed fall arrest subassembly (energy absorber+webbing sling connector) attach to the front or back attaching buckle of a safety harness - drawing **5**

H. NOTICE:

- In determining the space under the workplace required to arrest the fall, consider the sling as an additional element that extends the distance for arresting a fall.
- The total length of the sling connected to an energy absorber compliant with EN 355 and snap hooks and fasteners shall not exceed 2 m.
- The user should minimise the amount of slack in the sling near a fall hazard.
- The user must rule out any risk of the situation (e.g. wrapping the sling around neck) that during use or arresting a fall the sling may be used choke hitched.
- The user should avoid interleaving the sling between construction elements or the situation when there is a risk of falling over the sharp edge (e.g. roof edge).
- The sling can be used in temperatures from -30°C to 50°C.
- Do not use only the sling (with no shock absorber) on its own as a device to arrest a fall from height.
- Two separate slings each with an energy absorber should not be used side by side (i.e. parallel).
- The free tail of a twin tail (double) sling combined with energy absorber should not be clipped back on the harness.
- It is permissible to use the sling without a shock absorber only as a rope that restricts (prevents) the worker from the area at risk of a fall.
- Twisting and kinking the legs (branches) shall be avoided.
- The legibility of the product markings should be checked.

I. PERIODIC INSPECTIONS
Safety harness must be inspected at least once every 12 months from the date of first use. Periodic inspections must only be carried out by a competent person who has the knowledge and training required for personal protective equipment periodic inspections. Depending upon the type and environment of work, inspections may be needed to be carried out more frequently than once every 12 months. Every periodic inspection must be recorded in the Identity Card of the equipment.

J. MAXIMUM LIFESPAN OF THE EQUIPMENT
The maximum lifespan of the harness is 10 years from the date of manufacture.

